

**DC Fuse** DC fuse is mainly used for breaking which is due to current feedback of inverters in case of possible photovoltaic series of solar energy-collecting plates in solar energy photovoltaic header boxes and circuit overload and short-circuit current generate, thus protecting the entire photovoltaic energy - collecting plates. Also, it can be used in any other DC circuits as an option for circuit overload and short-circuit protection of electric elements.

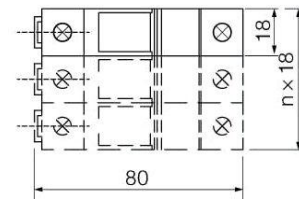
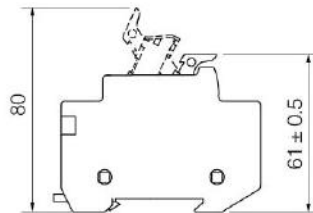
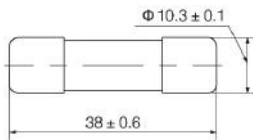
## 10\*38mm DC Fuse link 30A with holder(led)



**Technical Data:**

- Pole: 1P,2P,3P,4P
- Rated Voltage  $U_e$  (V DC): 1000V 1500V
- Rated Current  $I_n$  (A): 2, 3, 3.15, 3.5, 4, 5, 6, 8, 10, 12, 15, 16, 20, 25, 30A
- Biggest Block Ability (KA): 20
- The Most High Power Consumption (W): 4.5
- With or without an indicator light is optional

Code	Spec.
HDF-30	2-30A 1000V 1500V
HDF-30B	30A 1000V 1500V



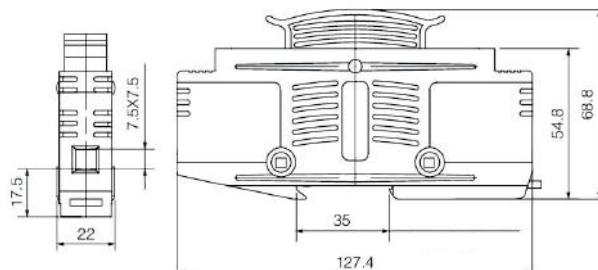
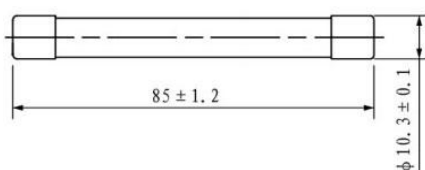
## 10\*85mm DC Fuse link 30A with holder



**Technical Data:**

- Pole: 1P
- Rated Voltage  $U_e$  (VDC): 1500V
- Rated Current  $I_n$  (A): 2, 3, 3.15, 3.5, 4, 5, 6, 8, 10, 12, 15, 16, 20, 25, 30A
- Biggest Block Ability (KA): 20
- 35mm DIN Rail mounting

Code	Spec.
HDF-30	2-30A 1500V
HDF-30B	30A 1500V



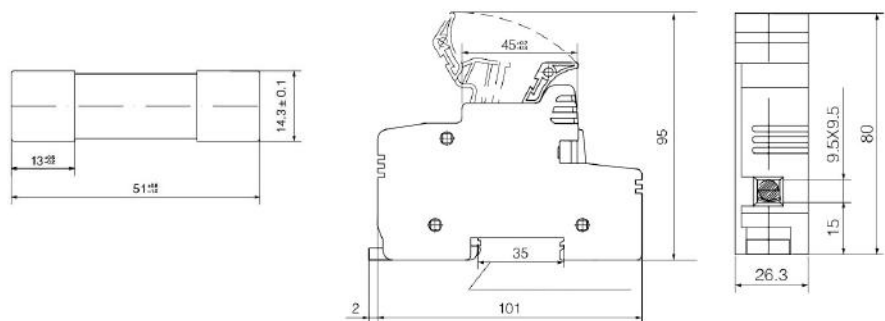
## 14\*51mm DC Fuse link 40A with holder



### Technical Data:

- Pole: 1P
- Rated Voltage  $U_e$  (V DC): 1000V 1500V
- Rated Current  $I_n$  (A): 10, 12, 15, 20, 25, 32, 40A
- Biggest Block Ability (KA): 25

Code	Spec.
HDF-40	10-40A 1000V 1500V
HDF-40B	40A 1000V 1500V



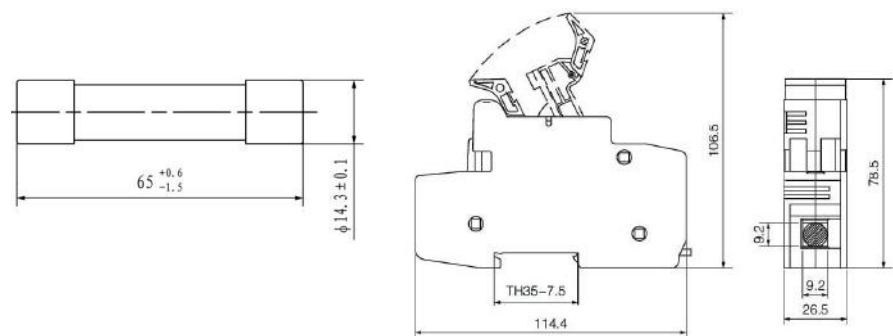
## 14\*65mm DC Fuse link 63A with holder



### Technical Data:

- Pole: 1P
- Rated Voltage  $U_e$  (VDC): 1000V 1500V
- Rated Current  $I_n$  (A): 2, 10, 15, 20, 25, 32, 40, 50, 63A
- Biggest Block Ability (KA): 25
- 35mm DIN Rail mounting

Code	Spec.
HDF-63	2-63A 1000V 1500V
HDF-63B	63A 1000V 1500V



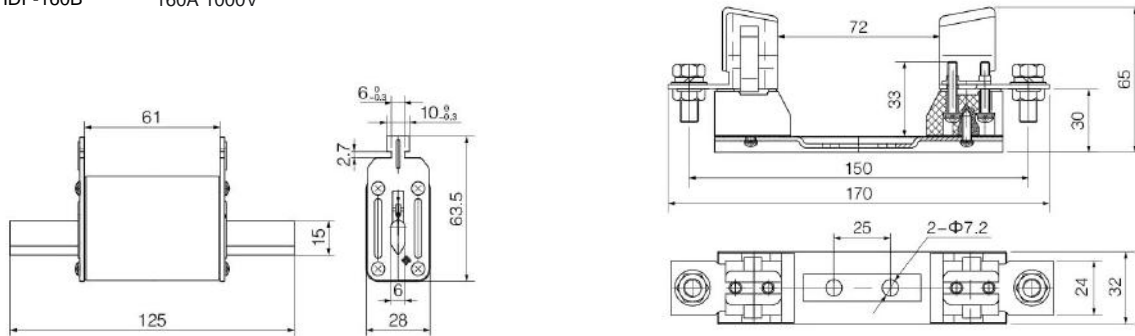
## DC Fuse link 160A with holder



### Technical Data:

- Pole: 1P
- Rated Voltage  $U_e$  (V DC): 1000V
- Rated Current  $I_n$  (A): 40, 50, 63, 80, 100, 125, 160A
- Biggest Block Ability (KA): 20

Code	Sepec.
HDF-160	40-160A 1000V
HDF-160B	160A 1000V



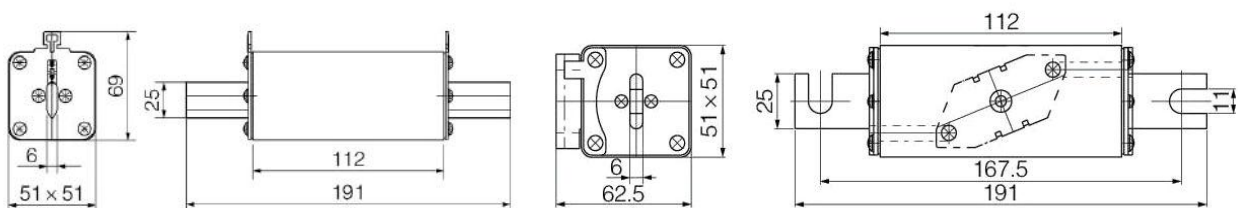
## DC Fuse link 250A with holder



### Technical Data:

- Pole: 1P
- Rated Voltage  $U_e$  (VDC): 1000V 1500V
- Rated Current  $I_n$  (A): 125, 160, 200, 250A
- Biggest Block Ability (KA): 25

Code	Sepec.
HDF-250	125-250A 1000V 1500V
HDF-250B	250A 1000V 1500V



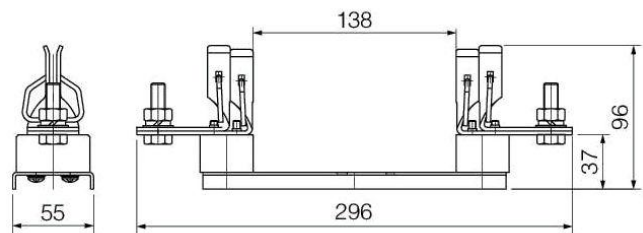
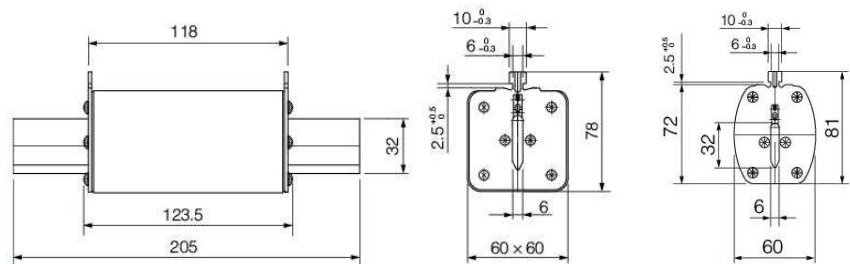
## DC Fuse link 400A with holder



### Technical Data:

- Pole: 1P
- Rated Voltage  $U_e$  (V DC): 1000V 1500V
- Rated Current  $I_n$  (A): 200, 250, 315, 350, 400A
- Biggest Block Ability (KA): 30

Code	Sepc.
HDF-400	200-400A 1000V 1500V
HDF-400B	400A 1000V 1500V



# Solar DC Fuse

## DC Fuse link 630A with holder



### Technical Data:

- Pole: 1P
- Rated Voltage  $U_e$  (V DC): 1500V
- Rated Current  $I_n$  (A): 350, 400, 450, 500, 630A
- Biggest Block Ability (KA): 50

Code	Spec.
HDF-630	350-630A 1500V
HDF-630B	630A 1500V

